

**Fixture Type:**

**Project Name:**

**Location:**

**Date:**

## Features

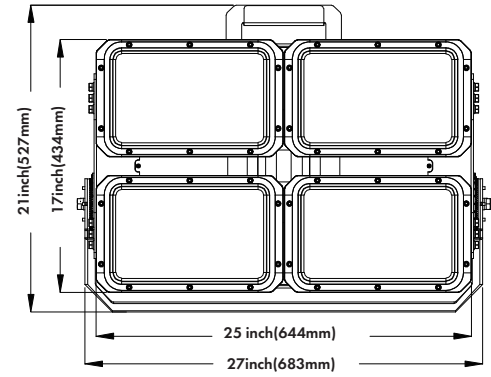
- Heavy duty die-cast aluminum housing with UV stabilized polyester powder paint finish
- Dynamic thermal management design that maximizes heat dissipation
- Beam angle 10°/15°/30°/60°/90°/ Type II distribution
- 1-10V dimming driver
- Adjustable trunnion mount
- Optional low glare shields and aiming laser



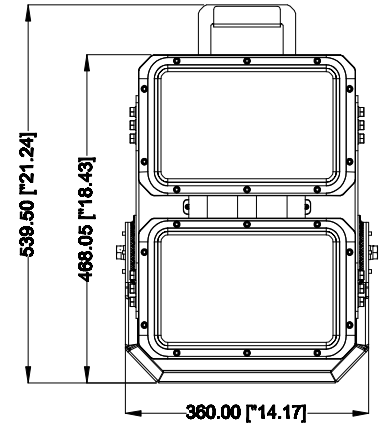
## Product Performance Standard

<b>Size</b>	17" L X 25" W X 7" H	<b>Power Factor</b>	≥90%
<b>Weight</b>	70 lb	<b>LED lifespan</b>	50,000 Hrs
<b>IP RATE</b>	IP65	<b>Dimmable</b>	1-10V Dimmable
<b>Color Temp</b>	4000K-5000K-5700K	<b>Beam Angle</b>	10°/15°/30°/60°/90°/T2
<b>CRI</b>	70	<b>Warranty</b>	5 Years
<b>Input Voltage</b>	120-277V / 277-480V	<b>Ambient Operation Temperature</b>	-40C° (-40°F) ~55C° (131°F)

## Dimension



800W/1000W/1200W



500W

## Ordering Guide Example: LEDMST 500W 40K

Fixture Type	Wattage	Color Temp.	Voltage	Finish	Optional Accessories
LEDMST	500W	40K=4000K	Blank = 120-277V	Blank = Black	Blank = No Accessories
	800W	50K=5000K	HV = 277 - 480V		GS = Glare Shield
	1000W	57K=5700K			LS = Laser Aiming
	1200W				

**Fixture Type:**

**Project Name:**

**Location:**

**Date:**

## Product Information

10°			15°		30° 60° 90° T2	
WATTAGE	LUMEN	EFFICACY	LUMEN	EFFICACY	LUMEN	EFFICACY
800W	88000lm	110lm/W	96000lm	120lm/W	120000lm	120lm/W
1000W	110000lm	110lm/W	120000lm	120lm/W	150000lm	120lm/W
1200W	N/A		N/A		180000lm	120lm/W
500W	55,000lm	110lm/W	60,000lm	120lm/W	75,000lm	120lm/W

## Optional Accessories



**Laser Aiming**  
-SKU: AIMINGLASER-MST



**Glare Shield**  
-SKU: GLARESHIELD-MST

## EPA

WATTAGE	EPA
500W	1.814 ft <sup>2</sup>
800-1200W	3.009 ft <sup>2</sup>

**Fixture Type:**

Project Name:

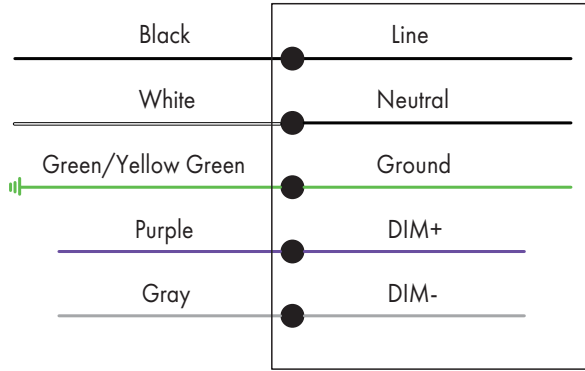
Location:

Date:

## Installation Guide

CORD/ SUPPLY WIRING

LUMINAIRE



Scan the QR code or visit [www.lironlighting.com/products/ledmst](http://www.lironlighting.com/products/ledmst) for the complete luminaire installation guide.

Note:

---

---

---

---

---

---

---

---

---

---