

Fixture Type:

Project Name:

Location:

Date:

Features

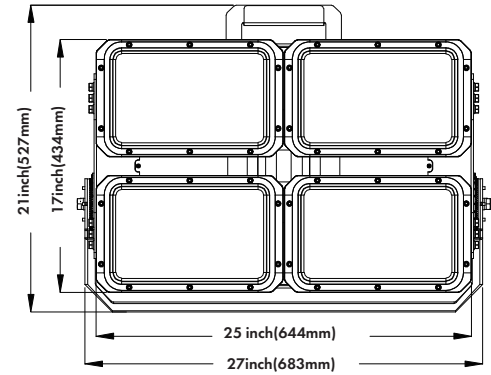
- Heavy duty die-cast aluminum housing with UV stabilized polyester powder paint finish
- Dynamic thermal management design that maximizes heat dissipation
- Beam angle 10°/15°/30°/60°/90°/ Type II distribution
- 1-10V dimming driver
- Adjustable trunnion mount
- Optional low glare shields and aiming laser



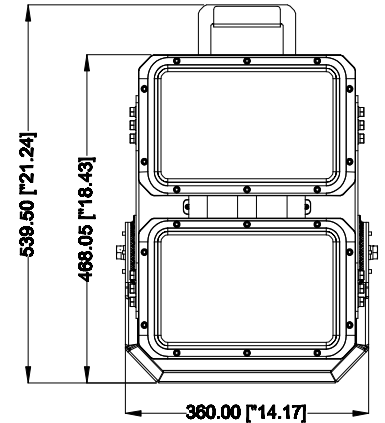
Product Performance Standard

Size	17" L X 25" W X 7" H	Power Factor	≥90%
Weight	70 lb	LED lifespan	50,000 Hrs
IP RATE	IP65	Dimmable	1-10V Dimmable
Color Temp	4000K-5000K-5700K	Beam Angle	10°/15°/30°/60°/90°/T2
CRI	70	Warranty	5 Years
Input Voltage	120-277V / 277-480V	Ambient Operation Temperature	-40C° (-40°F) ~55C° (131°F)

Dimension



800W/1000W/1200W



500W

Ordering Guide Example: LEDMST 500W 40K

Fixture Type	Wattage	Color Temp.	Voltage	Finish	Optional Accessories
LEDMST	500W	40K=4000K	Blank = 120-277V	Blank = Black	Blank = No Accessories
	800W	50K=5000K	HV = 277 - 480V		GS = Glare Shield
	1000W	57K=5700K			LA = Laser Aiming
	1200W				

Fixture Type:

Project Name:

Location:

Date:

Product Information

10°			15°		30° 60° 90° T2	
WATTAGE	LUMEN	EFFICACY	LUMEN	EFFICACY	LUMEN	EFFICACY
800W	88000lm	110lm/W	96000lm	120lm/W	120000lm	120lm/W
1000W	110000lm	110lm/W	120000lm	120lm/W	150000lm	120lm/W
1200W	N/A		N/A		180000lm	120lm/W
500W	55,000lm	110lm/W	60,000lm	120lm/W	75,000lm	120lm/W

Optional Accessories



Laser Aiming
-SKU: AIMINGLASER-MST



Glare Shield
-SKU: GLARESHIELD-MST

EPA

WATTAGE	EPA
500W	1.814 ft ²
800-1200W	3.009 ft ²