

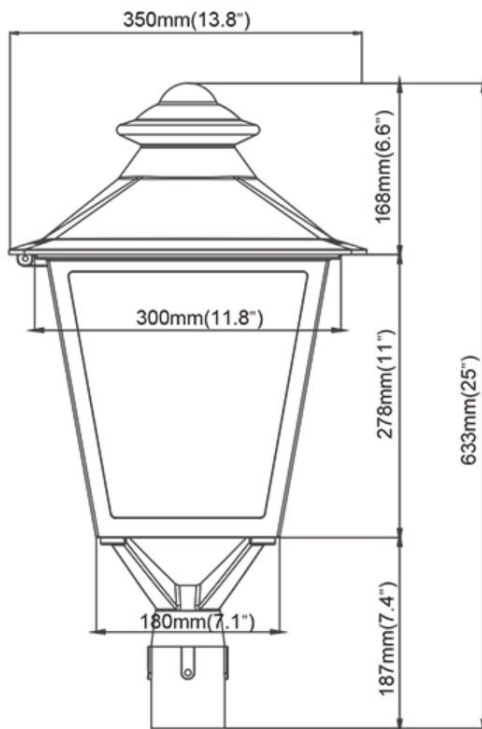
# PPST Series

FIXTURE TYPE:  
PROJECT NAME:  
LOCATION:  
DATE:

## LANTERN POST TOP



### Dimensions



### Specification

Size	24"L X 11"W X 7 "H
Weight	20lb
IP Rate	IP65
Color Temp	3CCT 3000K/4000K/5000K
CRI	70
Input Voltage	120-277V
Power Factor	≥90%
THD	<20%
LED Lifespan	50,000 hrs
Dimmable	0-10V Dimming
Warranty	5 Years
Ambient Operation Temperature	-40°C (-40°F) ~ 40°C(104°F)

# PPST Series

FIXTURE TYPE:  
PROJECT NAME:  
LOCATION:  
DATE:

LANTERN POST TOP

## Features

- Traditional style LED Post Top.
- Die cast aluminum housing.
- Frosted lenses.
- Black polyester powder coat finish.
- CCT adjustable 3000K/4000K/5000K.
- 0-10V dimming driver.
- It fits with standard 3" round pole and 2-3/8" tenon top.
- Compatible with motion sensor and photocell.

## Ordering Guide Example: LEDPPST 60W 3CCT

SKU	Wattage	Color Temp	Voltage	Finish	Optional Accessories
LEDPPST	30W 60W 120W	3CCT = 30K/40K/50K Color Temp Switchable	Blank = 120-277V	Blank = Black BZ = Dark Bronze	Blank = No accessories PC = Photocell(-ALPC) MS = Motion Sensor (BL-PIR823-IN)

## Performance Data

WATTAGE	3000K		4000K		5000K	
	LUMEN	EFFICACY	LUMEN	EFFICACY	LUMEN	EFFICACY
30W	3400lm	113 lm/W	3500lm	114 lm/W	3600lm	115 lm/W
60W	7000lm	116 lm/W	7100lm	117 lm/W	7200lm	118 lm/W
120W	14,400lm	120 lm/W	14,400lm	120 lm/W	14,400lm	120 lm/W

FIXTURE TYPE:  
PROJECT NAME:  
LOCATION:  
DATE:

LANTERN POST TOP

## Optional Accessories

---



### Photocell Included

-SKU: ALPC  
-3 PIN twist lock photocell is pre-installed by request.

---



### PIR Motion Sensor

-SKU: BL-PIR823-IN  
-Internal PIR Motion Sensor is pre-installed by request.

---

For the accessories detail, please visit [www.lironlighting.com/product\\_categories/add-on-accessories](http://www.lironlighting.com/product_categories/add-on-accessories)