

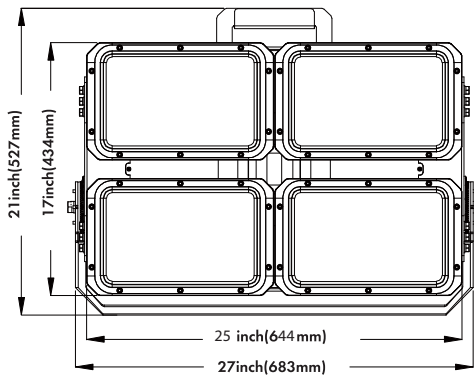
MST Series

FIXTURE TYPE:
PROJECT NAME:
LOCATION:
DATE:

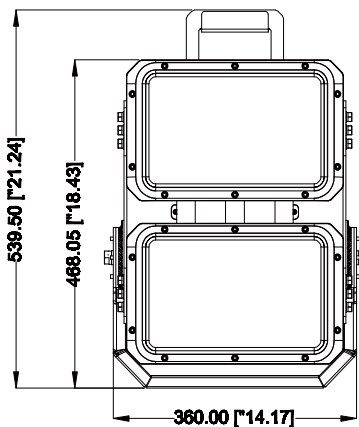
STADIUM LIGHT (MADE TO ORDER)



Dimensions



800W / 1000W / 1200W



500W

Specification

Size	17"L X 25"W X 7"H
Weight	70lb
IP Rate	IP65
Color Temp	4000K/5000K/5700K
CRI	70
Input Voltage	120-277V \geq /277-480V
Power Factor	\geq 90%
Beam Angle	10°/15°/30°/60°/90°/T2
LED Lifespan	50,000 hrs
Dimmable	1-10V Dimming
Warranty	5 Years
Ambient Operation Temperature	-40°C (-40°F) ~ 55°C (131°F)

MST Series

FIXTURE TYPE:
PROJECT NAME:
LOCATION:
DATE:

STADIUM LIGHT (MADE TO ORDER)

Features

- Heavy duty die-cast aluminum housing with UV stabilized polyester powder paint finish.
- Dynamic thermal management design that maximizes heat dissipation.
- Beam angle 10°/15°/30°/60°/90°/ Type II distribution.
- 1-10V dimming driver.
- Adjustable trunnion mount.
- Optional low glare shields and aiming laser.
- **This product must not be used in conjunction with metal halide lamps. Failures resulting from such use are not covered under warranty.**

Ordering Guide Example: LEDMST 500W 40K

SKU	Wattage	Color Temp	Voltage	Finish	Optional Accessories
LEDMST	500W 800W 1000W 1200W	40K = 4000K 50K = 5000K 57K = 5700K	Blank = 120-277V HV = 277-480V	Blank = Black	Blank = No Accessories GS = Glare Shield LA = Laser Aiming

Performance Data

	10°		15°		30°60°90°T2	
WATTAGE	LUMEN	EFFICACY	LUMEN	EFFICACY	LUMEN	EFFICACY
800W	88000lm	110 lm/W	96000lm	120 lm/W	120000lm	120 lm/W
1000W	110000lm	110 lm/W	120000lm	120 lm/W	150000lm	120 lm/W
1200W	N/A	N/A	N/A	N/A	180000lm	120 lm/W
500W	55000lm	110 lm/W	60000lm	120 lm/W	75000lm	120 lm/W

Optional Accessories



Laser Aiming
-SKU: AIMINGLASER-MST



Glare Shield
-SKU: GLARESHIELD-MST

EPA

WATTAGE	EPA
500W	1.814 ft ²
800W-1200W	3.009 ft ²