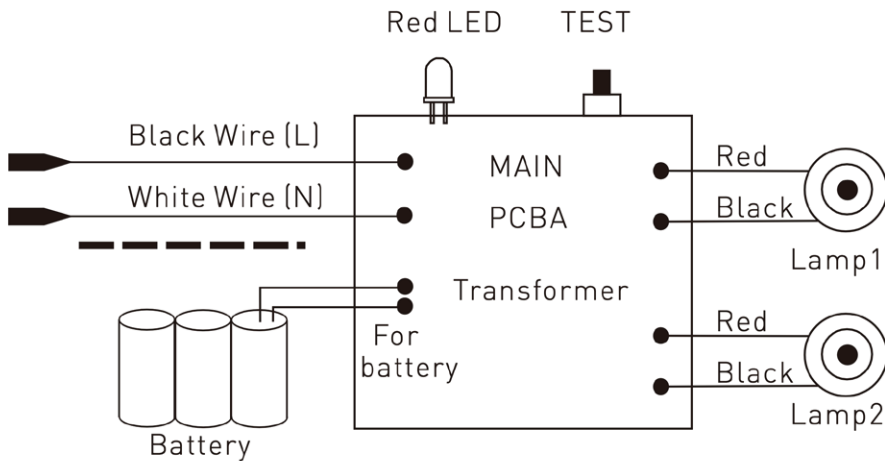
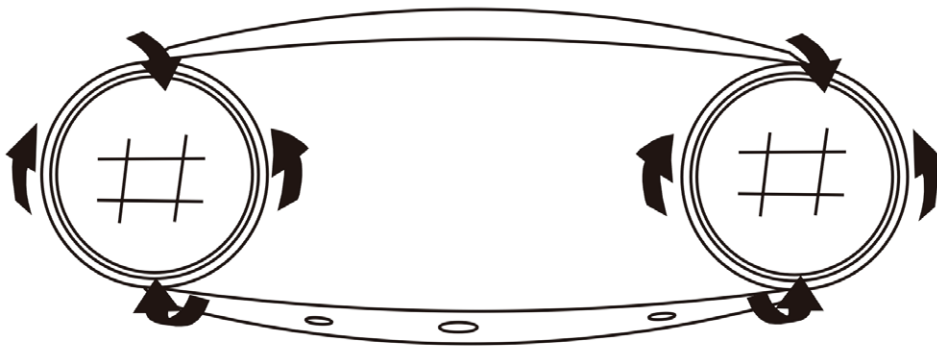


# DUAL HEAD EMERGENCY FLOOD

## WIRING DIAGRAM



## ADJUSTABLE LAMP HEADS AND LENSES



## INSTALLATION INSTRUCTIONS

### WARNINGS

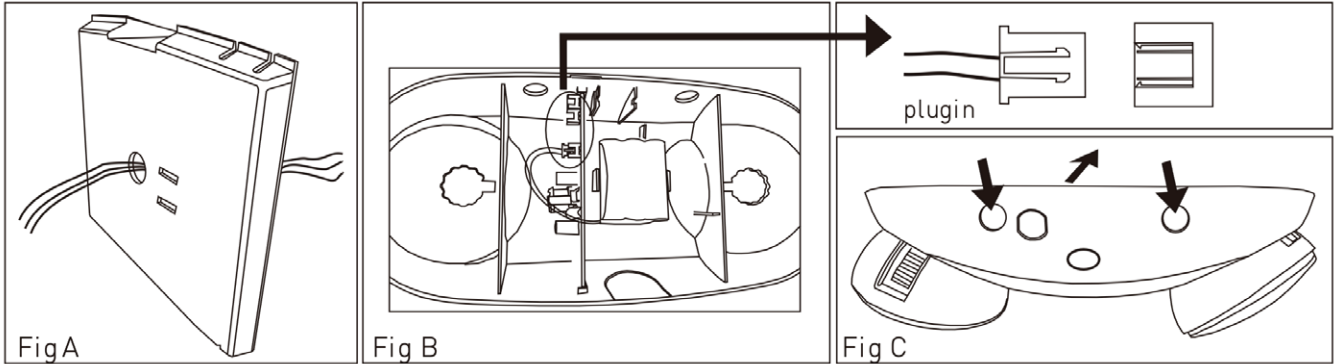
- Turn off electricity at the main fuse box (or circuit breaker box) before beginning installation by removing the fuse (or switching off the circuit breaker).
- Be careful not to damage or cut the wire insulation (covering) during fixture installation. Do not permit the power cord or housing to contact any surface having a sharp edge. To do so may damage or cut the wire insulation, which could cause serious injury or death from electric shock.
- This fixture requires 120 or 277VAC power input. The installer must confirm the input power at the source prior to installation.
- Do not use outdoors.
- Do not let power cords touch hot surfaces.
- Do not install in hazardous locations or near gas or electric heaters.
- The use of accessory equipment not recommended by manufacturer will void the unit's warranty.
- Do not use this equipment for other than its intended purpose.
- Servicing of this equipment should be performed by qualified service personnel.
- Equipment should be mounted in locations and at heights where it will not be subjected to tampering by unauthorized personnel.
- Allow battery to charge for 24 hours before first use.

# DUAL HEAD EMERGENCY FLOOD

## INSTALLATION INSTRUCTIONS, CONTINUED

### J-BOX MOUNTING INSTALLATION INSTRUCTIONS

- Feed fixture leads through the main bottom case and connect to the AC power supply (Fig A).
- Connect the wires through the J-Box and the main bottom case, and secure with screws.
- Connect the battery only after continuous AC power can be provided to the unit (Fig B).
- Align the snaps and push the housing directly onto the main bottom case (Fig C) apply continuous AC power and press "TEST" button to check light.
- **WARNING:** Unused wires must be capped using enclosed wire nuts.



### CONDUIT INSTALLATION INSTRUCTIONS

- Secure main bottom case to the wall surface. Route wires through hole in conduit flange and make the conduit connection.
- Connect the battery only after continuous AC power can be provided to the unit (Fig B).
- Align snaps and push the housing directly onto the main bottom case (Fig C). Turn on the continuous AC power and press the "TEST" button to confirm the light operates.

### OPERATING INSTRUCTIONS

- During an electrical power failure, the lamps will automatically come on for a minimum of 90 minutes.
- To test, depress the "TEST" switch, the emergency lamps will illuminate. When the switch is released, the lamps will turn off.