

Fixture Type:

Project Name

Location:

Date:

EMC Series Emergency Light

Features

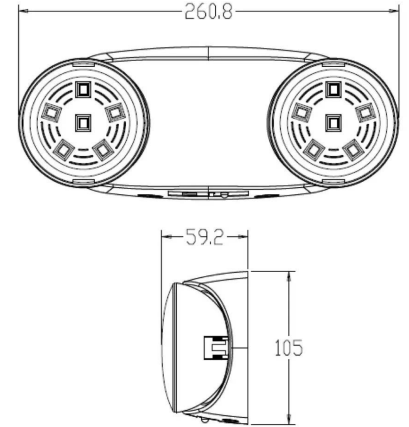
- Injection-molded thermoplastic ABS housing, UL 94V-0 flame rating
- Easy quick installation
- Dual voltage 120 or 277V AC input
- Built-in long life 3.6V 1000mAh Nickel cadmium battery for minimum 90 minutes emergency operation
- Adjustable lamp-heads
- Provide with test switch and AC-ON indicator
- Damp location listed



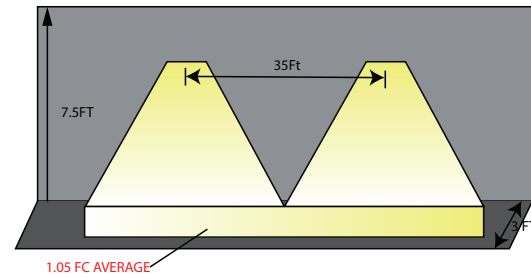
Product Performance Standard

Size	11"L x 4"H x 2 1/2"W	Voltage	120/277Vac
Weight	1 lb	LED Lifespan	50,000 Hrs
Mounting	Wall Mount	Input Power	2W
Color Temp	6000K	Battery	Nickel Cadmium
Luminous	Up to 240lm	Warranty	5 Years
Packing Info	6pcs/Box	Ambient Operation Temperature	0C° (32°F) ~40C° (104°F)

Dimensions



Spacing Chart



Mounting Height	Illumination Level	Multiple Luminaire Spacing
7.5FT	1 FT Avg	35 FT

Ordering Guide

Exmple : LEDEMC7012-JL

Fixture Type

LEDEMC7012-JL

Description

White Finish, Dual Head Adjustable Emergency Light, NiCard Battery, UL Listed