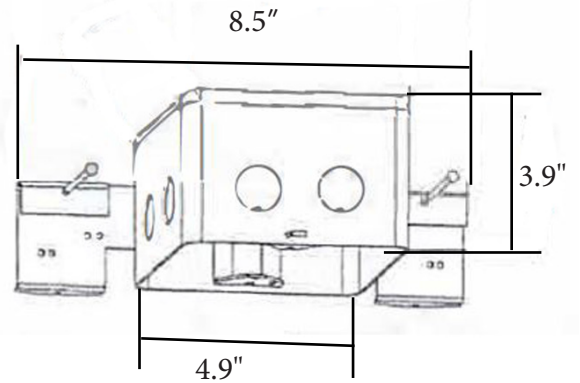


Emergency Battery Backup Instruction

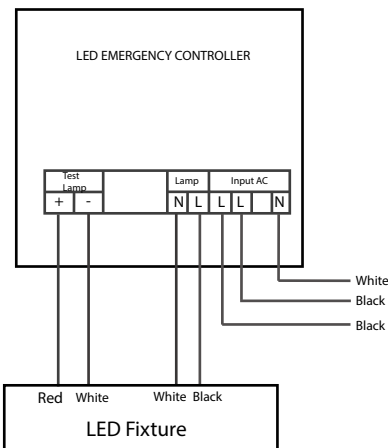
Installation Guide

1. Securely mount the supplied J box to the appropriate ceiling joist, using the 2 supplied nails.
2. Knock blind knock out open in your required location.
3. Bring in an connect your AC 120V power source to the emergency controller using supplied connectors and wire nut connector (black to black white to white ground to ground)
4. Put the battery parts and emergency controller into the Jbox

Dimension:



Wiring Diagram:



AC120V Emergency power supply

AC120V Regular power supply

GND

