

LED CRH Series

FIXTURE TYPE:
PROJECT NAME:
LOCATION:
DATE:

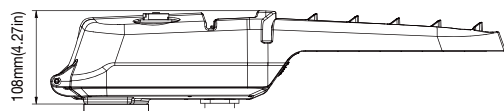
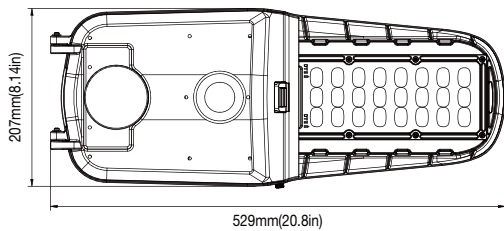
COBRA HEAD ROAD LIGHT



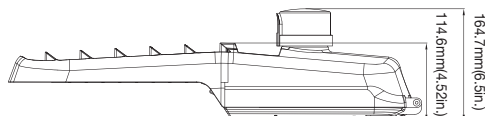
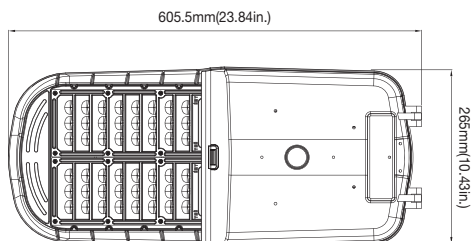
Arm mount kit not included

Dimensions

70W/105W



150W



Specification

Size	20.8in x 8.14in x 4.27in
Weight	10 lb
Listing	IP66
CCT	4000K-5000K
CRI	70
Voltage	120-277V or 347-480V
Efficacy	141lm/W
LED Life Span	50,000 Hrs
Dimmable	1-10V Dimmable
Distribution Type	III
Warranty	5 Years
Ambient Operation Temperature	-40°C (-40°F)~45°C (113°F)

FIXTURE TYPE:
PROJECT NAME:
LOCATION:
DATE:

COBRA HEAD ROAD LIGHT

Features

- Heavy-duty cast aluminum housing
- Traditional cobra head appearance
- Removable door 3G vibration rated to ensure strength of construction and longevity in application Integral 10KV surge suppression protection standard 3 Pin photocell pre-installed
- Optional mounting arm kit
- Available in type III distribution
- Fit 1-5/8" OD to 2-3/8" OD tenon

Ordering Guide Example: LEDCRH-70W40K3

SKU	Wattage	Color Temp	Voltage	Finish	Distribution Type	Mounting
LEDCRH	70W 105W 150W	40K=4000K 50K=5000K	Blank= 120-277V HV= 347-480V	Standard Finish: Blank=Silver Grey Premium Finish: DB =Dark Bronze BK =Black WH =White	3 =Type III	CRHMK= Mounting arm kit.

Note: 1. Premium finish incur on additional cost, contact factory for MOQ and availability

Product Information

WATTAGE	4000K		5000K	
	LUMEN	EFFICACY	LUMEN	EFFICACY
70W	9800lm	140 lm/W	9900lm	141 lm/W
105W	14490lm	138 lm/W	14595lm	139 lm/W
150W	19500lm	131 lm/W	20000lm	133 lm/W

FIXTURE TYPE:
PROJECT NAME:
LOCATION:
DATE:

COBRA HEAD ROAD LIGHT

Accessories



Standard Voltage 120-277V/347-480V Photocell

- SKU: ALPC / ALPC-HV
- Twist lock photocell

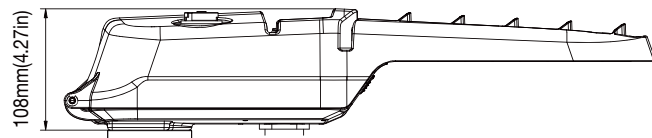
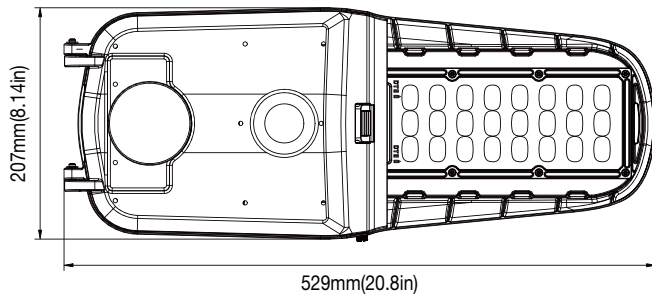


Mounting Arm Kit

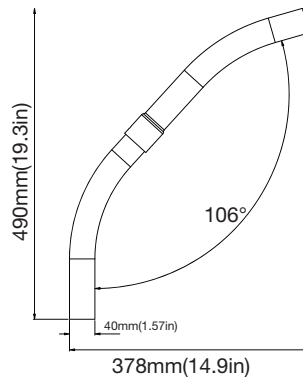
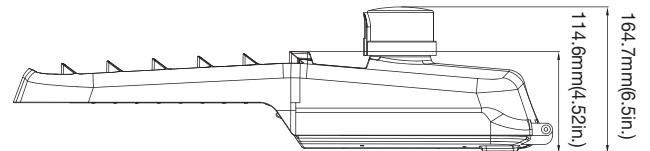
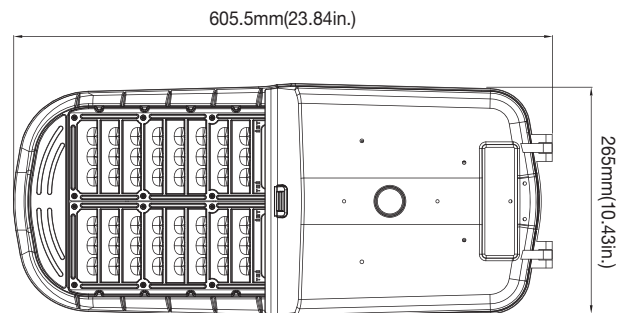
- Sku: CRHMK

Dimensions

70W/105W



150W



Optional