

DD4 Series

FIXTURE TYPE:
 PROJECT NAME:
 LOCATION:
 DATE:

LED 5CCT 6" DISK DOWNLIGHT WITH MOTION SENSOR

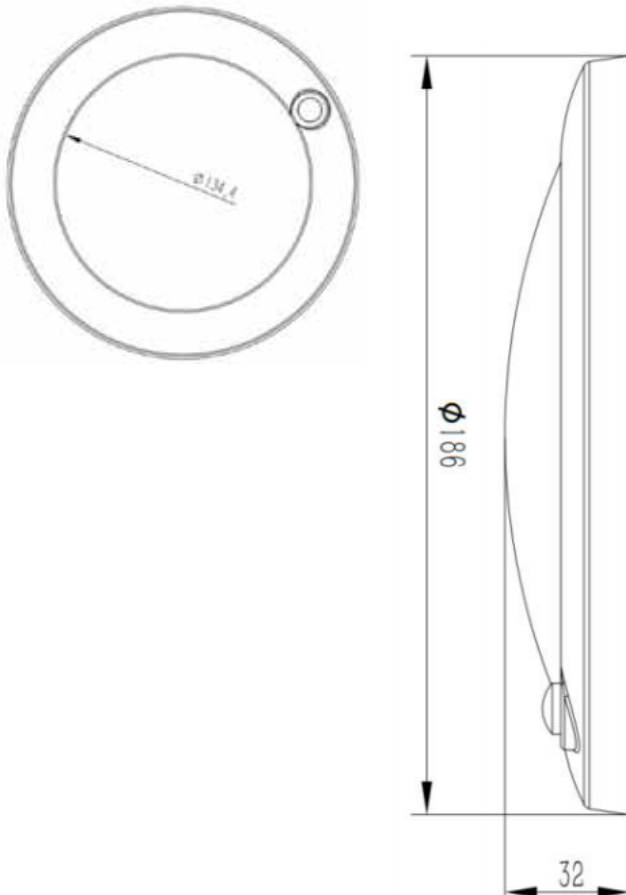


Adjustable timer switch
1 min/5min/10min



5CCT 2700K/3000K/
3500K/4000K/5000K

Dimensions



Product Performance Standard

Size	6"
Weight	2lb
Mounting	Surface mount/retrofit
CRI	80
Color Temp	5CCT
Input Voltage	120V
Power Factor	90%
LED Lifespan	50,000 Hrs
Dimmable	Non dimmable
Efficacy	up to 67 lm/W
Warranty	5 Years
Ambient Operation Temperature	-15C° (-4°F)~40C° (104°F)

DD4 Series

FIXTURE TYPE:
 PROJECT NAME:
 LOCATION:
 DATE:

LED 5CCT 6" DISK DOWNLIGHT WITH MOTION SENSOR

Features

- 6" LED disk downlight
- Diffused polycarbonate lens controls direct glare from the LEDs
- Simple snap in installation for J-box
- Die-cast aluminum construction with a powder coat paint finish
- 15W with 1000 lumen output
- Selectable color temperature 5CCT :2700/3000/3500/4000/5000K
- Integrated PIR motion sensor and adjustable timer function 1min/5min/10min
- Suitable for wet location

Ordering Guide Example: DD4-15W6IN-5CCT-WH-MS

Fixture Type	Size & Wattage	Color Temp	Voltage	Finish	MS
DD4	15W6IN =15Watt6Inch	5CCT = 27/30/35/40/50K (Color Temperature Adjustable)	Blank = 120V	WH = White	MS = Motion sensor included

FIXTURE TYPE:
 PROJECT NAME:
 LOCATION:
 DATE:

LED 5CCT 6" DISK DOWNLIGHT WITH MOTION SENSOR

Product Information

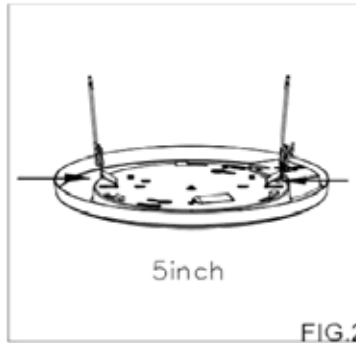
	5000K	
WATTAGE	LUMEN	EFFICACY
15W	1000lm	67lm/W

Installation

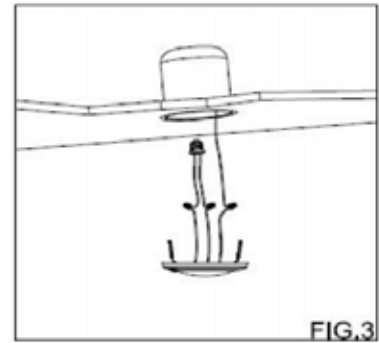
For 6 inch barrel



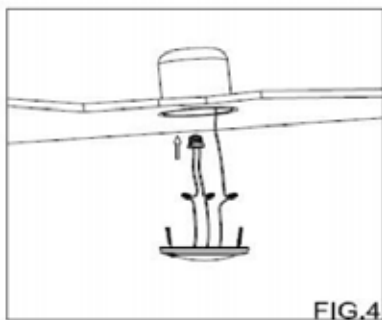
For 5 inch barrel



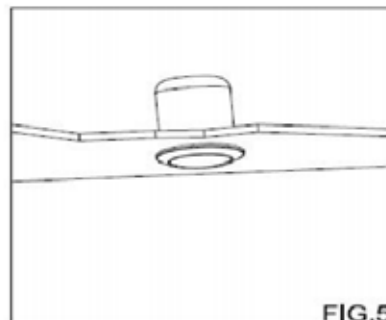
Connect wires
(white to white; black to black ,
copper wire to copper wire)



Thread the socket
adaptor into the socket



After installation, clamp and
put the spring hoop into the
container



Set the CCT switch as you need

