

# BLR2 Series

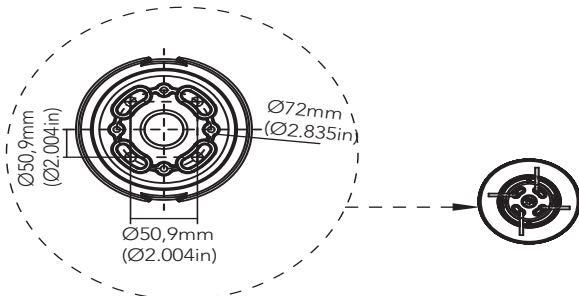
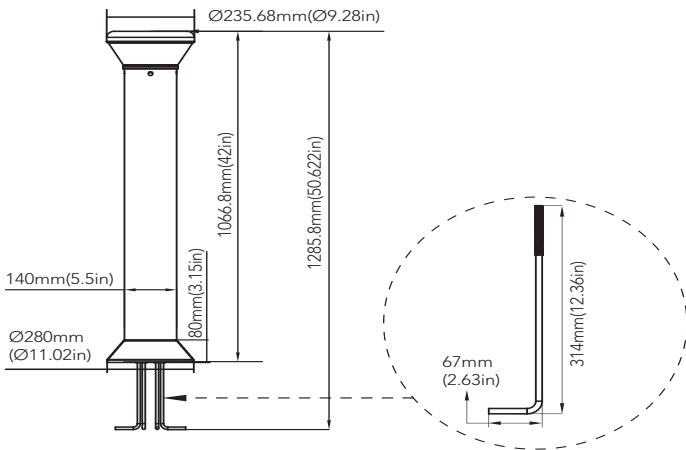
FIXTURE TYPE: \_\_\_\_\_  
 PROJECT NAME: \_\_\_\_\_  
 LOCATION: \_\_\_\_\_  
 DATE: \_\_\_\_\_

## WATTAGE & 3CCT SELECTABLE BOLLARD



Switch for wattage & 3CCT selectable

## Dimensions



## Specification

Size	42in x 5.5in
Weight	12lb
IP Rate	IP65
Color Temp	3CCT 3000K/4000K/5000K
CRI	80
Input Voltage	120-277V
Power Factor	90%
Efficacy	Up to 122 lm/W
LED Lifespan	50,000 hrs
Dimmable	1-10V Dimming
Warranty	5 Years
Ambient Operation Temperature	-40°C (-40°F) ~ 40°C (113°F)

# BLR2 Series

FIXTURE TYPE:  
PROJECT NAME:  
LOCATION:  
DATE:

## WATTAGE & 3CCT SELECTABLE BOLLARD

### Features

- Durable die cast aluminum housing
- Dark bronze polyester powder coat finish
- Annular diffuser provide glow soft light around
- Wattage selectable from 10W to 26W with efficacy of up to 119 lm/W
- 3CCT adjustable 3000K/4000K/5000K
- 360 degrees surround illumination with 80 CRI
- Optional emergency battery available

### Ordering Guide Example: BLR2-UW3CCT

SKU	Wattage	Color Temp	Voltage	<sup>1</sup> Finish	Optional Accessories
BLR2	UW = Wattage Switchable 10W/15W 20W/26W	3CCT = Color Temp Adjustable (30K/40K/50K)	Blank = 120-277V	Standard Finish Blank = Dark Bronze <sup>1</sup> Premium Finish BK = Black WH = White	Blank = No accessories EM = Emergency battery backup (-S-EMBK8WLV-INT)

### Performance Data

WATTAGE	3000K		4000K		5000K	
	LUMEN	EFFICACY	LUMEN	EFFICACY	LUMEN	EFFICACY
10W	1100lm	110 lm/W	1150lm	115 lm/W	1190lm	119 lm/W
15W	1650lm	110 lm/W	1725lm	115 lm/W	1785lm	119 lm/W
20W	2200lm	110 lm/W	2300lm	115 lm/W	2380lm	119 lm/W
26W	2800lm	110 lm/W	3000lm	115 lm/W	3100lm	119 lm/W

### Optional Accessories



#### Internal Emergency battery backup

- SKU: S-EMBK8WLV-INT
- Internal emergency battery backup is pre-installed by request
- Provide up to 1000 lumen in emergency situations

For the accessories detail, please visit [www.lironlighting.com/product\\_categories/add-on-accessories](http://www.lironlighting.com/product_categories/add-on-accessories)